

Overview

The new VISION UNA series batteries are designed for UPS Standby Power Applications requiring high power output. Computer designed grids and optimized plate paste formula produce high energy density and long lasting uninterrupted power for critical systems.



Battery Construction

Component	Positive plate	Negative plate	Container	Cover	Safety valve	Terminal	Separator	Electrolyte
Raw material	Lead dioxide	Lead	ABS	ABS	Rubber	Copper	Fiberglass	Sulfuric acid

General Features

- Positive and negative plates in lead-calcium-tin alloy;
- Superior energy density;
- Operate at a low internal pressure;
- Gas recombination;
- Special separator technology;
- A recognized component of ULJ EC,TLC.etc;
- Case and cover available in both standard and flame retardant ABS(UL 94-FV0);
- Very high power output for 5 to 15 minutes supply;
- Six months shelf life at 20 °C;
- Design life :12 years at 20 °C.

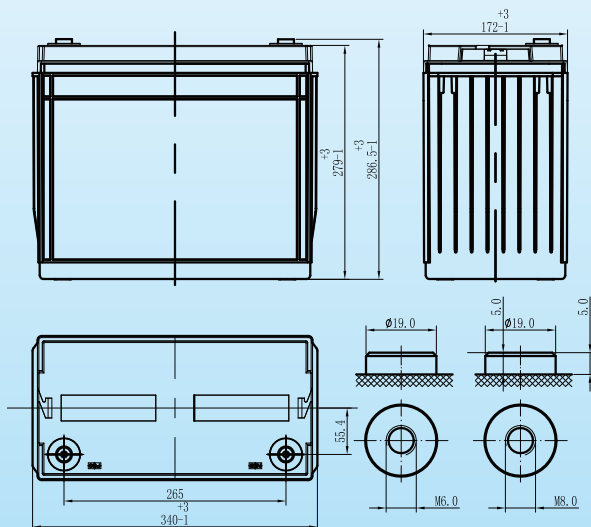
Battery Specification

Performance Characteristics	
Nominal Voltage	12V
Number of cell	6
Design Life	12 years
Nominal Capacity 77°F(25°C)	
15 min wattage @1.67 VPC	540W/cell
20 hour rate (7.50A, 10.5V)	150Ah
10 hour rate (14.0A,10.8V)	140Ah
Internal Resistance	
Fully Charged battery 77°F(25°C)	≤4.0 mOhms
Self-Discharge	
3% of capacity declined per month at 20°C(average)	
Operating Temperature Range	
Discharge	-20~60°C
Charge	-10~60°C
Storage	-20~60°C
Max. Discharge Current 77°F(25°C)	910A(5s)
Charge Methods: Constant Voltage Charge 77°F (25°C) Cycle use	2.40-2.45VPC
Maximum charging current	42.0A
Temperature compensation	-30mV/°C
Standby use	2.23-2.30VPC
Temperature compensation	-20mV/°C

Dimensions and Weight

Length(mm /inch)	340/13.4
Width(mm /inch)	172/6.78
Height(mm /inch)	279/11.0
Total Height(mm /inch)	286.5/11.3
Approx. Weight(Kg /lbs)	41.5/91.5

* Weight deviation: ± 3%



Discharge Constant Current (Amperes at 77°F25°C)

End Point Vdts/Cell	5min	10min	15min	20min	25min	30min	1h	1.5h	2h	3h	5h	8h	10h	20h
1.60V	464	355	292	245	215	193	106	81.3	61.7	39.5	25.6	17.7	14.9	7.65
1.67V	445	337	276	232	204	183	101	78.2	59.5	38.1	24.7	17.5	14.7	7.60
1.70V	428	318	259	220	192	173	96.8	76.0	58.0	37.7	24.4	17.2	14.5	7.55
1.75V	411	298	245	207	181	164	91.7	74.5	57.4	36.6	24.0	17.0	14.3	7.50
1.80V	400	286	235	201	176	158	89.6	71.3	54.0	35.6	23.4	16.6	14.0	7.45

Discharge Constant Power (Watts at 77°F25°C)

End Point Vdts/Cell	5min	10min	15min	20min	25min	30min	1h	1.5h	2h	3h	5h	8h	10h	20h
1.60V	860	648	543	436	381	341	191	148	112	76.6	50.6	33.1	27.9	15.0
1.67V	824	624	540	421	368	330	188	145	109	74.6	49.2	32.3	27.2	14.8
1.70V	780	598	491	407	356	319	183	141	106	72.8	48.5	31.8	26.8	14.6
1.75V	752	568	473	392	343	308	179	137	104	70.2	47.5	31.1	26.2	14.4
1.80V	725	544	455	378	330	296	175	134	100	69.0	46.2	30.8	25.9	14.2

(Note)The above characteristics data are average values obtained within three charge/discharge cycles not the minimum values. All data shall be changed without notice, Vision reserves the right to explain and update the information contained hereinto.

